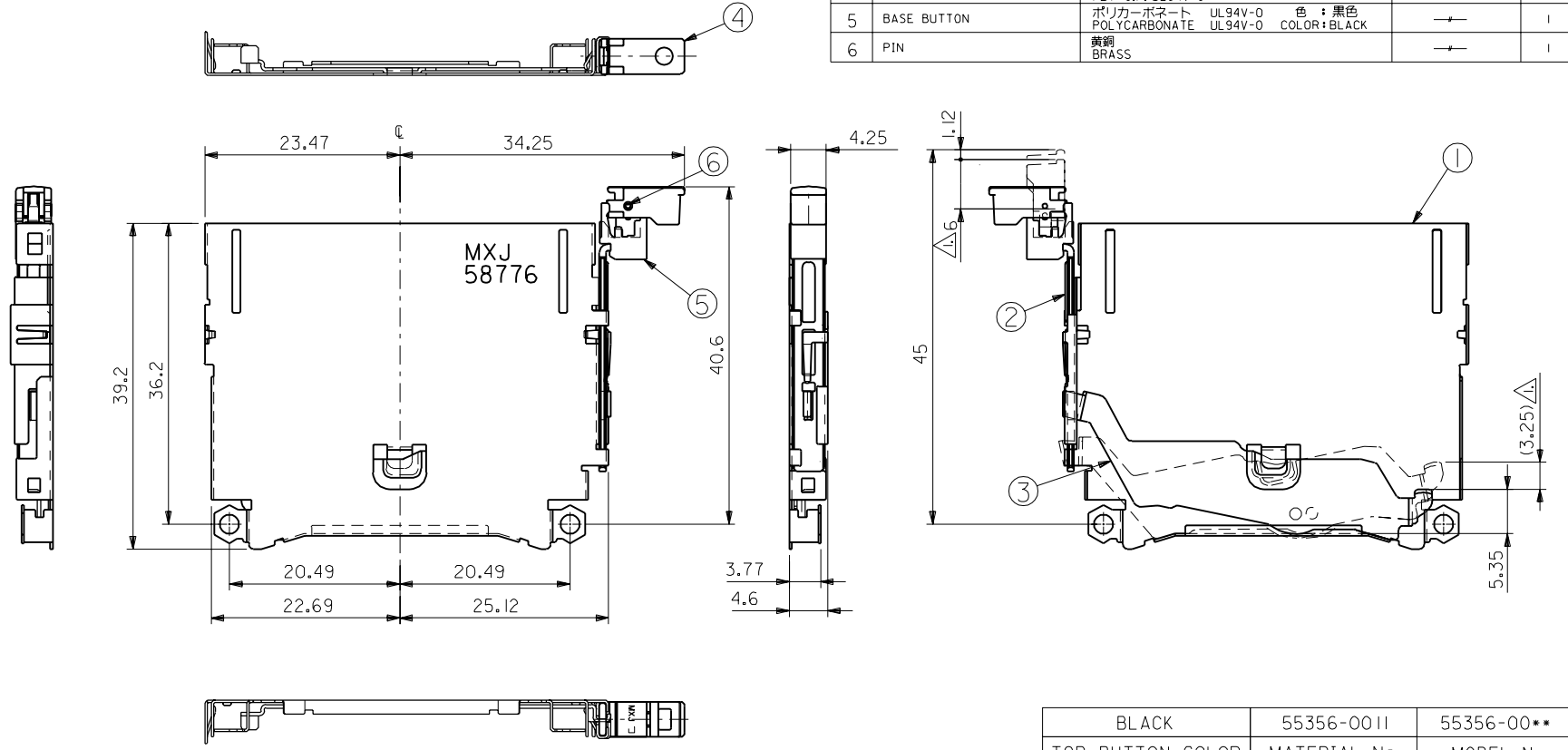


DWG. NO. SD-55356-002

No.	品名 NAME	材料 MATERIAL	仕上げ FINISH	個数 PIECE
1	METAL SHELL	ステンレス鋼 t0.3 STAINLESS STEEL t0.3	—	1
2	ROD	ステンレス鋼 t0.8 STAINLESS STEEL t0.8	—	1
3	LEVER	ステンレス鋼 t0.4 STAINLESS STEEL t0.4	—	1
4	TOP BUTTON	ガラス入りポリエステル UL94V-0 PBT G.F. UL94V-0	—	1
5	BASE BUTTON	ポリカーボネート UL94V-0 色 : 黒色 POLYCARBONATE UL94V-0 COLOR:BLACK	—	1
6	PIN	黄銅 BRASS	—	1



DO NOT SCALE DRAWING

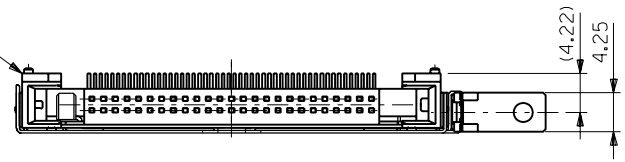
EC NO. DRWN: CHK: APPR:	EC NO. DRWN: CHK: APPR:	EC NO. DRWN: CHK: APPR:	REVISED EC No. JD90581 DRWN: TANAKA '98/10/20 CHK: MSASAO '98/10/20 APPR: HIKESUGI '98/10/20	RELEASED EC No. JD90218 DRWN: TANAKA '98/08/18 CHK: MSASAO '98/08/18 APPR: HIKESUGI '98/08/18	DESCRIPTION	MATERIAL 材料	GENERAL TOLERANCES: (UNLESS SPECIFIED) 一般公差	SCALE 2-1	DESIGN UNITS <input checked="" type="checkbox"/> mm <input type="checkbox"/> INCH	THIRD ANGLE PROJECTION	DIMENSIONS: <input type="checkbox"/> mm <input type="checkbox"/> INCH <input checked="" type="checkbox"/> mm ONLY	SHT REV
					SEE CHART	FINISH 仕上付	10 UNDER 未満	+0.2	DRAWN BY & DATE <i>M. Tanaka</i> '98/08/18	TITLE: CF CARD CONN. EJECT MECHANISM METAL SHELL ASS'Y (FOR LEFT SIDE BUTTON)		REVISE ON CAD ONLY
						WIRE RANGE 適用線径範囲	10 OVER 以上	+0.25	CHECKED BY & DATE <i>H. Saito</i> '98/08/18			
						INS. RANGE 被覆外径	30 UNDER 未満	+0.3	APPROVED BY & DATE <i>H. Saito</i> '98/08/18		MOLEX INCORPORATED	
							30 OVER 以上	+0.3	CAD FILENAME 55356002.S01	MATERIAL NO. SEE CHART	DRAWING NO. SD-55356-002	SHEET NO. 1 OF 2
							ANGLE 角度	+3°	THIS DRAWING CONTAINS INFORMATION THAT IS PROPRIETARY TO MOLEX INCORPORATED AND SHOULD NOT BE USED WITHOUT WRITTEN PERMISSION.			

BLACK	55356-0011	55356-00**
TOP BUTTON COLOR	MATERIAL No.	MODEL No.

A 55356002.S01

DWG. NO. SD-55356-002

△ HDR ASS'Y
55341-5010
(55340-5010)

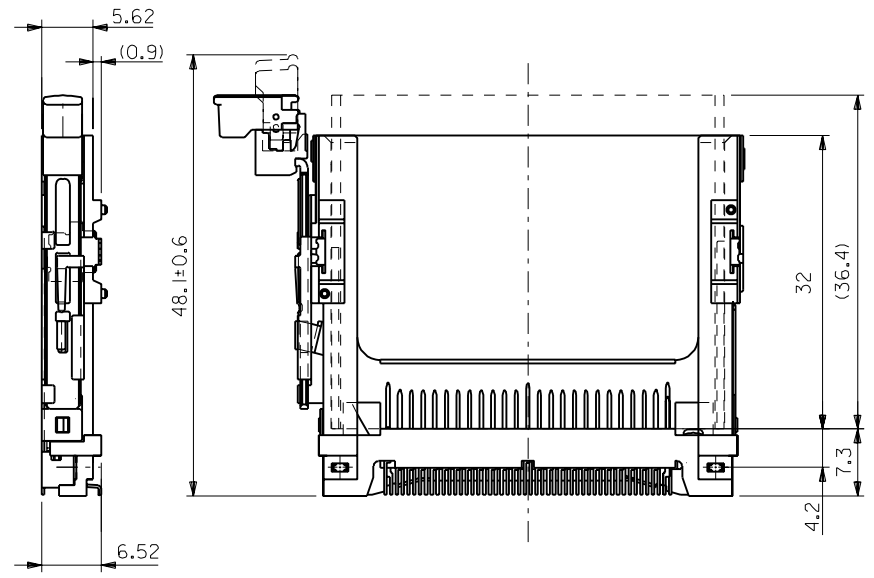
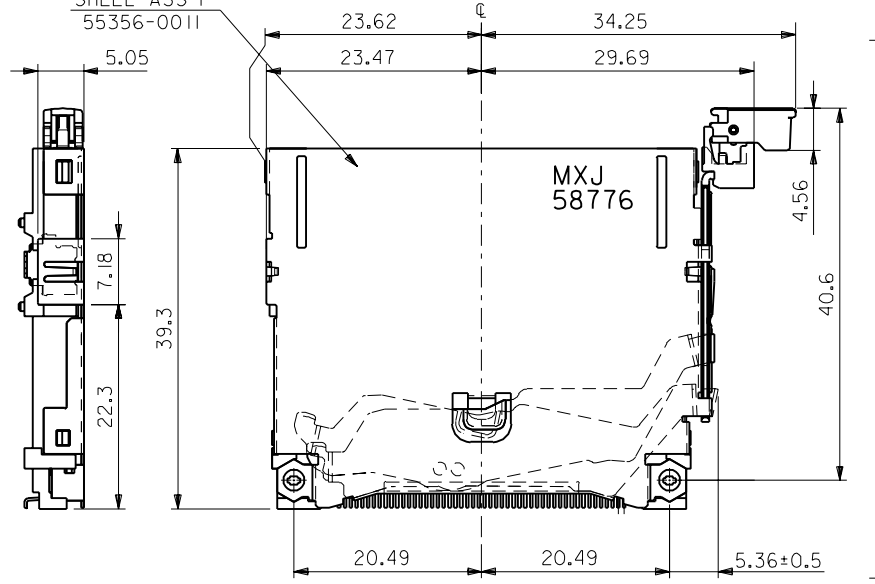


REFERENCE USE ONLY

注)
NOTES

- △1 ボタンストロークが 6mm の時、カード飛び出し量は (3.25mm)。
WHEN BUTTON PUSH STROKE IS 6mm, CARD OUT BY (3.25mm).
- 2. 適合 HEADER ASS'Y : 55340-5010(REVERSE), 55341-5010(NORMAL)
APPLICABLE HEADER ASS'Y : 55340-5010(REVERSE), 55341-5010(NORMAL)
- △3 SD-55341-003 (SD-55340-003) 参照
SEE SD-55341-003 (SD-55340-003)

SHELL ASS'Y
55356-0011

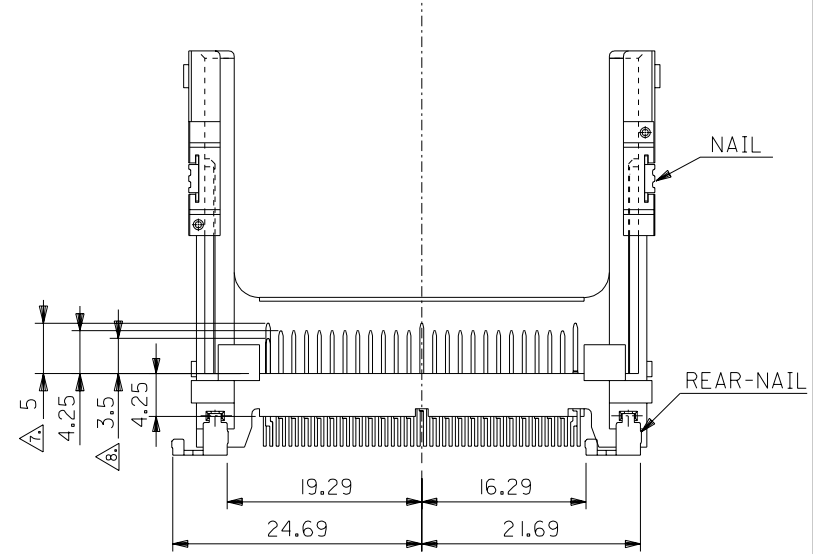
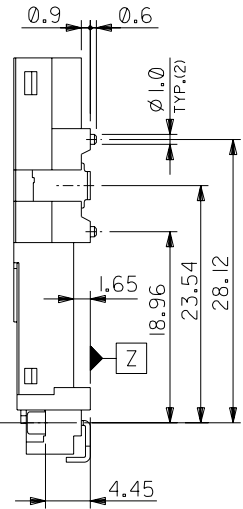
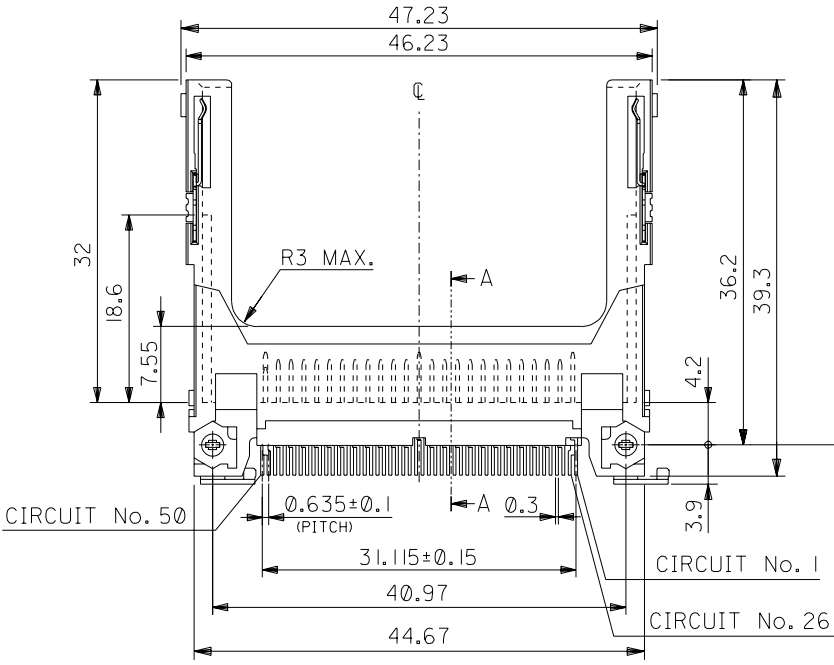
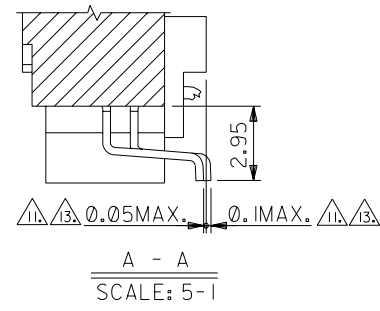
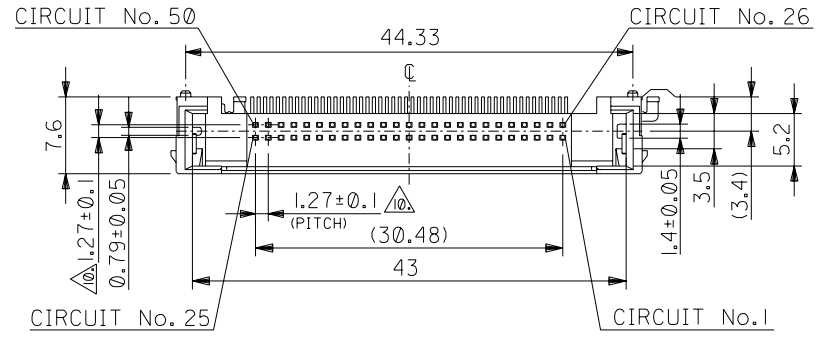


DO NOT SCALE DRAWING

EC NO. DRWN: CHK: APPR:	EC NO. DRWN: CHK: APPR:	EC NO. DRWN: CHK: APPR:	EC NO. DRWN: CHK: APPR:	A	0	DESCRIPTION	MATERIAL 材料	GENERAL TOLERANCES: (UNLESS SPECIFIED) 一般公差	SCALE 2 - 1	DESIGN UNITS <input checked="" type="checkbox"/> mm <input type="checkbox"/> INCH	DIMENSIONS: <input type="checkbox"/> mm <input type="checkbox"/> INCH <input checked="" type="checkbox"/> mm ONLY	SHT REV		
						FINISH 仕上り		10 UNDER 未満	+0.2	DRAWN BY & DATE <i>M. Yanaka</i> '98/08/18	THIRD ANGLE PROJECTION	REVISE ON CAD ONLY		
						WIRE RANGE 適用線径範囲		10 OVER 以上	+0.25	CHECKED BY & DATE <i>H. Saito</i> '98/08/18			MOLEX INCORPORATED	
						INS. RANGE 被覆外径		30 OVER 以上	+0.3	APPROVED BY & DATE <i>H. Saito</i> '98/08/18				MATERIAL NO. SEE SHEET 1 OF 2
								ANGLE 角度	+3°	CAD FILENAME 55356002.S02	DRAWING NO. SD-55356-002	SHEET NO. 2		SIZE B

THIS DRAWING CONTAINS INFORMATION THAT IS PROPRIETARY TO MOLEX INCORPORATED AND SHOULD NOT BE USED WITHOUT WRITTEN PERMISSION.

DWG. NO. SD-55358-011



DO NOT SCALE DRAWING

EC NO. DRWN: CHK: APPR:	EC NO. DRWN: CHK: APPR:	EC NO. DRWN: CHK: APPR:	EC NO. DRWN: CHK: APPR:	RELEASED EC NO. J2002-3139 DRWN: THANYU '02/06/17 CHK: MSASAO '02/06/17 APPR: MSASAO '02/06/17
WIRE RANGE 適用電線範圍	— # —			
INS. RANGE 被覆外径	— # —			

MATERIAL 材料	SEE NOTES
FINISH 仕上り	SEE NOTES

GENERAL TOLERANCES: (UNLESS SPECIFIED) 一般公差	10 UNDER 未滿	±0.2
	10 OVER 30 UNDER 以上 未滿	±0.25
	30 OVER 以上	±0.3
ANGLE 角度		±3°

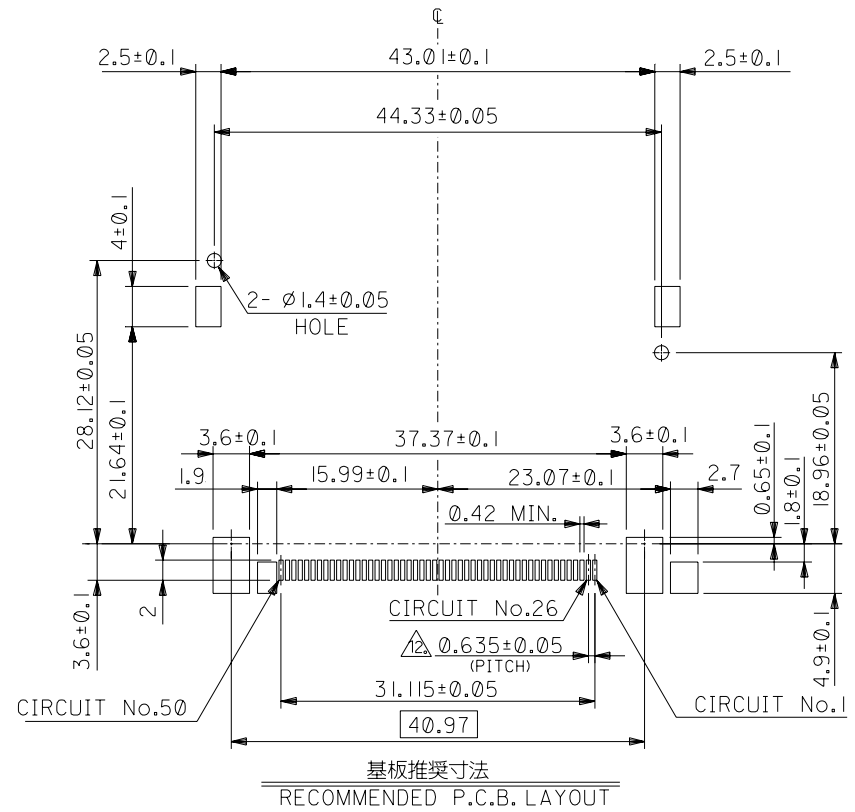
SCALE 2 - 1	DESIGN UNITS <input checked="" type="checkbox"/> mm <input type="checkbox"/> INCH
DRAWN BY & DATE T. Hamura '02/06/17	
CHECKED BY & DATE H. Sasaki '02/06/17	
APPROVED BY & DATE H. Sasaki '02/06/17	
CAD FILENAME SD-55358-011.S01	

55358-5021		55358-50**	
MATERIAL No.		MODEL No.	
DIMENSIONS: <input type="checkbox"/> mm <input type="checkbox"/> INCH		SHT	REV
THIRD ANGLE PROJECTION		REVISE ON CAD ONLY	
TITLE: CF CARD CONN. 50P HEADER ASS'Y (TYPE I/II, NORMAL)			
MOLEX INCORPORATED			
MATERIAL NO. SEE CHART	DRAWING NO. SD-55358-011	SHEET NO. 1 OF 3	
THIS DRAWING CONTAINS INFORMATION THAT IS PROPRIETARY TO MOLEX INCORPORATED AND SHOULD NOT BE USED WITHOUT WRITTEN PERMISSION.			SIZE B

DWG. NO. SD-55358-011

- 8 7 6 5 4 3 2 1
- 注) 1. 材質 MATERIAL
 ハウジング: ガラス入りLCP UL94V-0
 HOUSING: LIQUID CRYSTAL POLYMER G.F. UL94V-0
 ピン: リン青銅
 PIN: PHOSPHOR BRONZE
 ネール: リン青銅 (t0.3)
 NAIL: PHOSPHOR BRONZE (t0.3)
 リヤネール: リン青銅 (t0.48)
 REAR-NAIL: PHOSPHOR BRONZE (t0.48)
2. メッキ仕様 PLATING
 ピン
 PIN 接点部: パラジウムニッケル下地、金メッキ
 CONTACT AREA: GOLD OVER PALLADIUM-NICKEL
 半田付け部: 半田メッキ
 SOLDER TAIL AREA: TIN-LEAD
 下地メッキ: ニッケルメッキ
 UNDERPLATING: NICKEL OVER ALL
 ネール
 NAIL 接点部: 金メッキ
 CONTACT AREA: GOLD
 半田付け部: 半田メッキ
 SOLDER TAIL AREA: TIN-LEAD
 下地メッキ: ニッケルメッキ
 UNDERPLATING: NICKEL OVER ALL
 リヤネール
 REAR-NAIL 半田メッキ
 TIN-LEAD
 下地メッキ: 銅メッキ
 UNDERPLATING: COPPER OVER ALL
3. 推奨基板厚: t=0.8 MIN.
 RECOMMENDED P.C.B. THICKNESS: t=0.8 MIN.
4. 適合カード厚: 3.3±0.1 (TYPE I) AND 5 MAX. (TYPE II)
 RECOMMENDED CARD THICKNESS: 3.3±0.1 (TYPE I) AND 5 MAX. (TYPE II)
5. 適合カード幅: 42.8±0.1
 RECOMMENDED CARD WIDTH: 42.8±0.1
6. ハウジング色: 黒
 HOUSING COLOR: BLACK
7. 寸法適用極: 1,13,38,50
 THIS DIMENSION APPLIES TO CIRCUIT NUMBERS 1,13,38 AND 50.
8. 寸法適用極: 25,26
 THIS DIMENSION APPLIES TO CIRCUIT NUMBERS 25 AND 26.
9. ピンの倒れは、ピン根元を基準に全方向へ0.1 MAX.とする。
 PIN TIP LEAN TOWARD ANY DIRECTION NOT TO EXCEED 0.1 WHEN MEASURED FROM PIN BASE.
10. ピン根元に適用する。
 THIS DIMENSION TO BE MEASURED AT PIN BASE.

11. ソルダータールは、Z面を基準とし上へ0.05下へ0.1の範囲にあり、且つソルダータールの平坦度は、0.1 MAX.とし、テール先端にて測定する。
 SOLDER TAILS TO BE WITHIN 0.05 UPWARD AND 0.1 DOWNWARD FROM Z-DATUM PLACE, AND COPLANARITY OF SOLDER TAILS TO BE WITHIN 0.1. MEASUREMENT POINT IS SOLDER TAILS TIP.
12. 公差非累積
 NON-CUMULATIVE
13. テールとネール、リヤネールを併せた平坦度は、0.1 MAX.とする。
 TOTAL COPLANARITY OF SOLDER TAILS, NAILS AND REAR-NAILS TO BE 0.1 MAX.

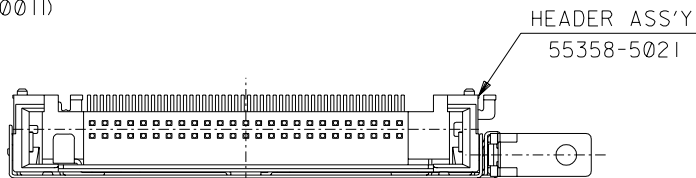


DO NOT SCALE DRAWING

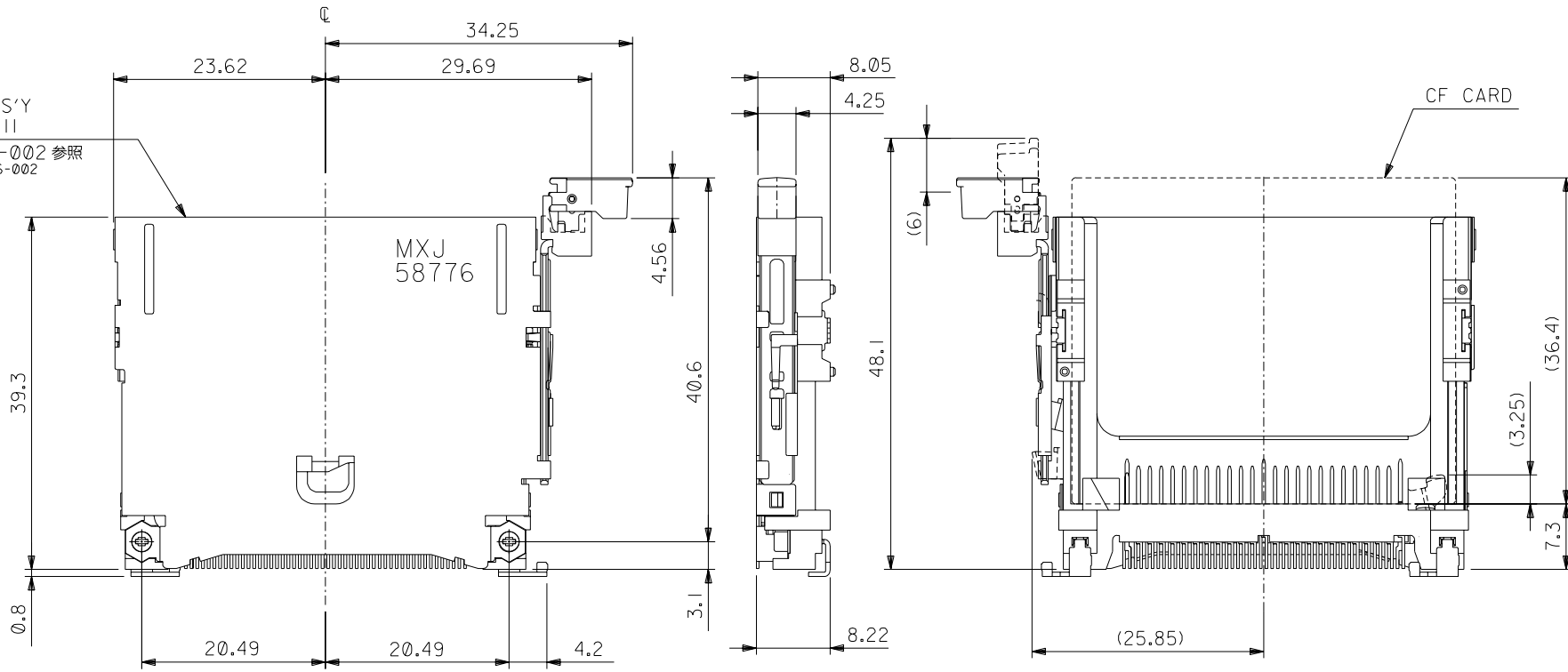
EC NO. DRAWN: CHK: APPR:		EC NO. DRAWN: CHK: APPR:		EC NO. DRAWN: CHK: APPR:		EC NO. DRAWN: CHK: APPR:		EC NO. DRAWN: CHK: APPR:		APPR:SEE SHEET 1 OF 2		MATERIAL 材料		GENERAL TOLERANCES: (UNLESS SPECIFIED) 一般公差		SCALE 2 - 1		DESIGN UNITS mm INCH		THIRD ANGLE PROJECTION		DIMENSIONS: mm INCH mm ONLY		SHT REV	
SEE NOTES										DESCRIPTION		SEE NOTES		10 UNDER 未滿		±0.2		DRAWN BY & DATE T. Hamaya '02/06/17		TITLE: CF CARD CONN. 50P HEADER ASS'Y (TYPE I/II, NORMAL)					
SEE NOTES										FINISH 仕上げ		30 UNDER 未滿		±0.25		CHECKED BY & DATE H. Sato '02/06/17									
SEE NOTES										WIRE RANGE 適用電線範囲		#		30 OVER 以上		±0.3		APPROVED BY & DATE H. Sato '02/06/17							
REV										INS. RANGE 被覆外径		#		ANGLE 角度		±3°		CAD FILENAME SD-55358-011.S02		MATERIAL NO. #		DRAWING NO. SD-55358-011		SHEET NO. 2	
THIS DRAWING CONTAINS INFORMATION THAT IS PROPRIETARY TO MOLEX INCORPORATED AND SHOULD NOT BE USED WITHOUT WRITTEN PERMISSION.																						SIZE B			

REFERENCE USE ONLY

NORMAL MOUNT TYPE
(55358-5021 & 55356-0011)



SHELL ASS'Y
55356-0011
SD-55356-002 参照
SEE SD-55356-002



DO NOT SCALE DRAWING

EC NO. DRWN: CHK: APPR:				EC NO. DRWN: CHK: APPR:				EC NO. DRWN: CHK: APPR:				EC NO. DRWN: CHK: APPR:				SEE SHEET 1 OF 3 EC NO. DRWN: CHK: APPR:				MATERIAL 材料				GENERAL TOLERANCES: (UNLESS SPECIFIED) 一般公差				SCALE 2 - 1				DESIGN UNITS <input checked="" type="checkbox"/> mm <input type="checkbox"/> INCH				THIRD ANGLE PROJECTION				DIMENSIONS: <input type="checkbox"/> mm <input type="checkbox"/> INCH <input checked="" type="checkbox"/> mm ONLY				SHT REV											
FINISH 仕上り				WIRE RANGE 適用電線範囲				INS. RANGE 被覆外径				10 UNDER 未満				10 OVER 30 UNDER 以上 未満				30 OVER 以上				ANGLE 角度				DRAWN BY & DATE <i>T. Hamada</i> '02/06/17				CHECKED BY & DATE <i>H. Saito</i> '02/06/17				APPROVED BY & DATE <i>[Signature]</i> '02/06/17				CAD FILENAME SD-55358-011.S03				MATERIAL NO. —				DRAWING NO. SD-55358-011				SHEET NO. 3			
																												TITLE: CF CARD CONN. 50P HEADER ASS'Y (TYPE I/II,NORMAL)				MOLEX INCORPORATED				THIS DRAWING CONTAINS INFORMATION THAT IS PROPRIETARY TO MOLEX INCORPORATED AND SHOULD NOT BE USED WITHOUT WRITTEN PERMISSION.				SIZE B															